

6FM50F/12VoIt 50Ah

Front Terminal Battery

Front Terminal Series Batteries are specially designed for telecom use with 12+ years design life in float service. By adopting a new AGM separator and centralised venting system, the battery can be installed in any position while maintaining high reliability.



General Features

- Heavy Duty Grid
- Mechanized assembly
- Non-spillable construction
- High Reliability and Stability
- Sealed and Maintenance-free
- Long Life and low self-discharge design

Construction

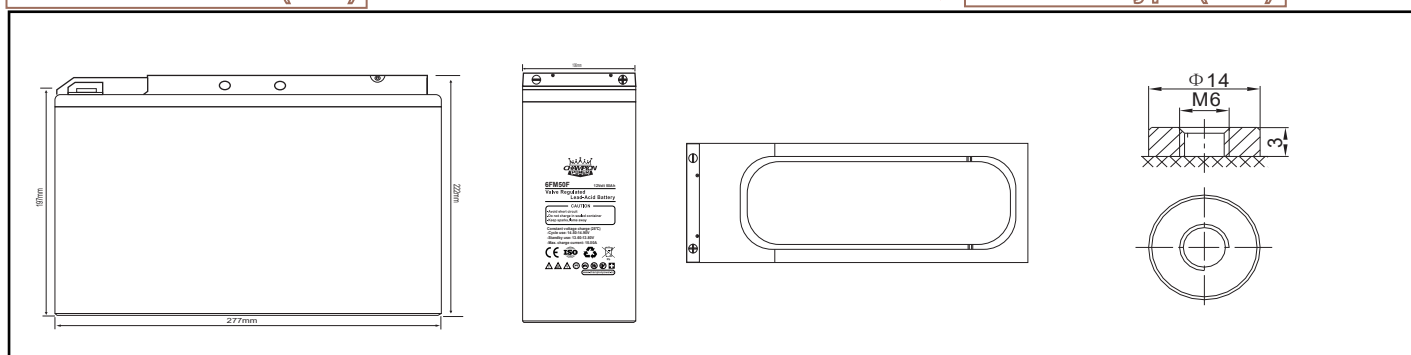
- Negative.....Lead
- Terminal.....Copper
- Positive.....Lead dioxide
- Electrolyte.....Sulfuric acid
- Separator.....Fiber glass
- Safety Valve.....EPDR
- Container.....ABS(UL94-HB) / (UL94-V0)

Specification

Battery Model	Nominal Voltage	12V		
	Rated capacity (10Hour rate)	50Ah		
	Cells Per battery	6		
Dimension	Length	Width	Height	Total Height
	277mm	106mm	222mm	222mm
Approx Weight	14.70Kg			
Internal Resistance	Full charged at 25°C (77°F): Approx 6.0mΩ			
Max.discharge current	400A(5s)			
Floating design life @ 25°C (77°F)	12 years			
Capacity @ 25°C (77°F)	10Hour rate(5A/10.8V)	5Hour rate(8.5A/10.5V)	3Hour rate(12.5A/10.5V)	1Hour rate(27.5A/10.5V)
	50Ah	38Ah	30Ah	19Ah
Capacity affected by Temp(10 HR)	40°C (104°F)	25°C (77°F)	0°C (32°F)	-15°C(5°F)
	102%	100%	85%	65%
Self Discharge @ 25°C (77°F)	After 3 months storage	After 6 months storage	After 12 months storage	
	93%	84%	65%	
Charge method @ 25°C (77°F)	Cycle Use	14.50-14.90V (Initial charging current less than 15.0A)		
	Float Use	13.60-13.80V		

Outer dimension (mm)

Terminal Type (mm)



Constant Current(Amp) and Constant Power(Watt) Discharge Table at 25°C (77°F)

F.V / TIME		5min	10min	15min	30min	1h	2h	3h	4h	5h	8h	10h	20h
9.60V	A	180.00	110.00	87.50	57.50	30.00	17.50	13.00	10.50	8.77	5.79	5.50	2.85
	W	1908.00	1168.20	936.25	621.00	327.00	190.75	143.00	115.50	96.48	64.29	61.05	32.06
10.20V	A	165.00	110.42	80.42	54.58	31.00	16.79	12.75	10.00	8.60	5.70	5.25	2.80
	W	1798.50	1225.62	896.65	614.06	348.75	189.75	144.08	113.50	97.66	64.70	59.59	31.78
10.50V	A	153.02	105.50	75.00	52.92	30.00	16.46	12.50	9.50	8.50	5.63	5.15	2.77
	W	1683.23	1186.88	847.50	603.25	342.00	188.45	143.13	109.25	97.75	64.69	59.23	31.80
10.80V	A	139.33	100.83	70.00	50.50	29.00	16.04	12.25	9.33	8.13	5.48	5.00	2.73
	W	1532.67	1149.50	801.50	583.28	334.95	185.28	142.10	108.73	94.66	63.83	58.25	31.80
11.10V	A	120.50	95.00	65.00	47.00	27.50	15.63	11.75	9.17	7.77	5.33	4.88	2.70
	W	1361.65	1097.25	754.00	549.90	321.75	182.81	138.06	108.17	91.70	62.93	57.53	31.86

